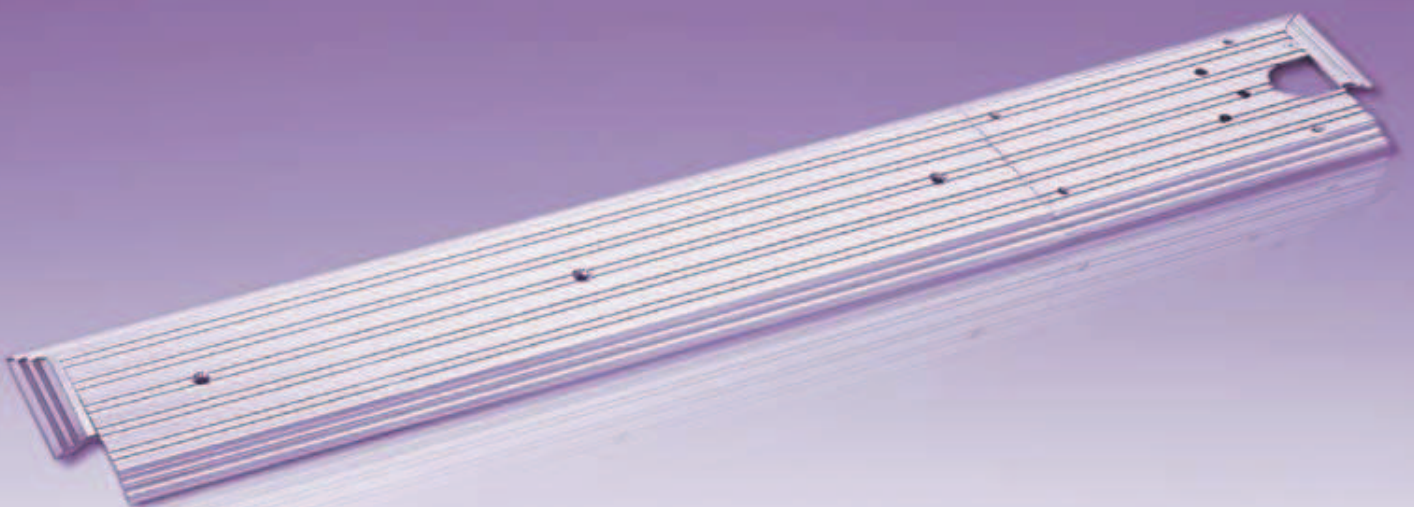


Thresholds

RIXSON®
ASSA ABLOY

Finishing Touch
for Floor Closer
Installations



ASSA ABLOY, the global leader in door opening solutions

Introduction

Rixson® thresholds add the finishing touch to the concealment of floor closers and pivot sets.

- Ordering the thresholds with the floor closer/pivot
- You are guaranteed that all the valve holes will be in the correct locations
 - Thresholds will have separate sections to allow access to the closer

Limited Warranty

Rixson® thresholds carry a 2-year warranty for defect. There is no warranty on finish for plated items. See Rixson® Price Book for specific details of the limited warranty.

Threshold Specifications

Whenever floor closers are used with thresholds, the threshold must be furnished by the closer manufacturer. This will ensure correct valve locations. All thresholds used with floor closers shall have separate closer cover plate section.

Contents

Page

Thresholds: General Information..... 186

Limited Warranty..... 186

Specifications..... 186

Definition of Terms..... 187

Type of Hanging Means & Models

Center Hung Models 1 and 4..... 188

Offset Hung Models 3 and 5..... 189

Width of Threshold..... 190

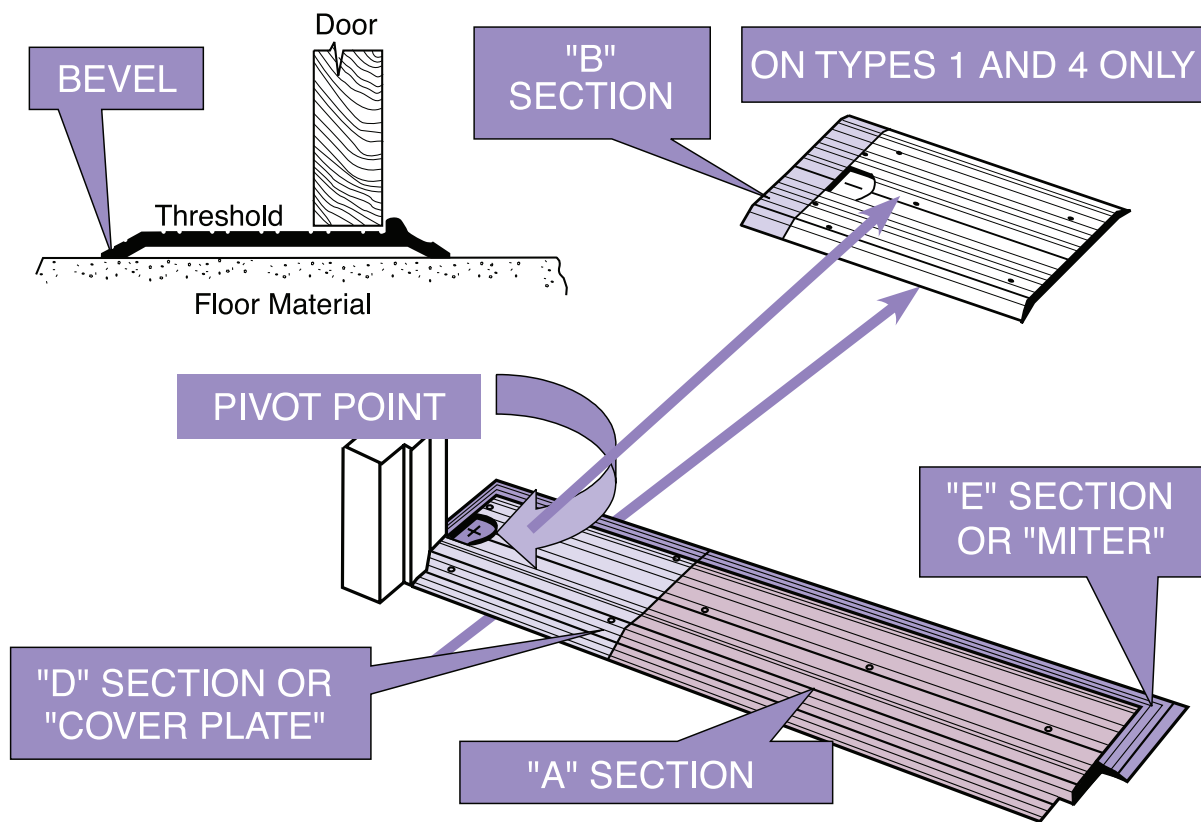
Options..... 191-193

Finishes..... 194

How to Order..... 194

Thresholds

Terms



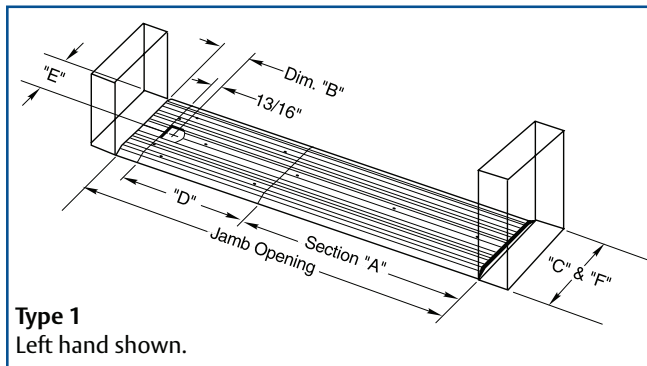
Thresholds

For use with center hung closers (Nos. 28, H28, 30, 40, H40 & 50), independently hung closers (F327 & F53) and pivot sets (Nos. 117-3/4 & H117-3/4)

Type 1

(For doors hung in center of frame)
Can be furnished with No. 201 stop strip on single acting doors (specify door thickness) or No. 301-1/2" step down for special 1/2" sill conditions or 501 step down for special 1/4" sill conditions (see page 192). Straight ends furnished in lieu of mitered returns. Specify overall length (jamb to jamb).

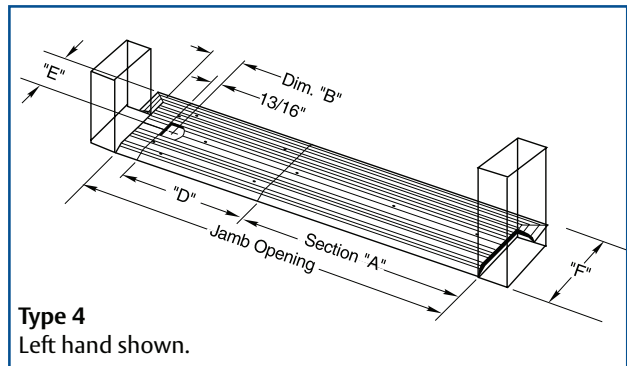
Technical Information



Type 4

(For doors hung flush with face of frame)
Can be furnished with No. 201 stop strip (specify door thickness) on single acting doors. No. 301-1/2" step down can be furnished for special 1/2" sill conditions or 501 step down for special 1/4" sill conditions (see page 192). Four corner miter returns or straight ends can be furnished. Specify overall length (jamb to jamb).

Technical Information



F is the dimension of the A section.

Specification Details

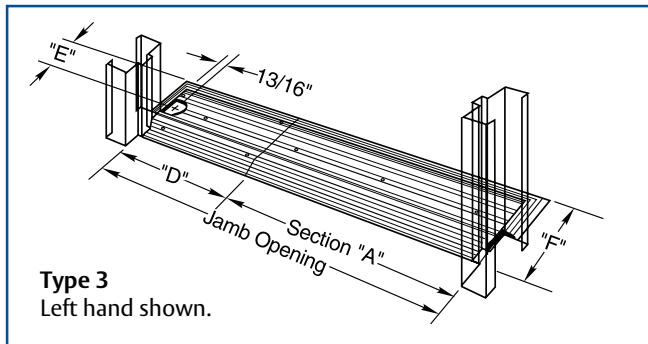
For Center Hung Closers or Pivot Sets	Threshold Type	With No. 201 Stop Strip	dim. "C & F" Purple	dim. "E" Green	dim. "D" Yellow	dim. "B" min. Orange
No. 28 No. 327*	1 or 4 x 700 Normal	No. 700 for doors 2-1/4" thick or less.	7"	3-1/2"	10-1/16"	2"
	1 or 4 x 800	No. 800 for doors 3" thick or less.	8"	4"		
No. 30	1 or 4 x 600 Normal	Stop Strip Not Used	6"	3"	13-1/4"	2"
	1 or 4 x 700		7"	3-1/2"		
No. 40	1 or 4 x 700 Normal	Stop Strip Not Used	7"	3-1/2"	15-1/2"	2"
	1 or 4 x 800		8"	4"		
F53* No. 50 No. 117-3/4 pivot set	1 or 4 x 600 Normal	No. 201 Stop Strip for 1-3/4" doors – for larger doors use next size as listed		6"	3"	Consult Factory
	1 or 4 x 700	No. 700 for doors 2-1/4" thick or less.	Made single acting with stop strip	7"	4"	
	1 or 4 x 800	No. 800 for doors 3" thick or less.		8"	4"	

Note: When ordering threshold for F327 or F53 closers, you must specify what hanging means being used and degree of swing.

Type 3

For use with all offset closers and pivot sets listed above. Can be furnished with No. 200 stop strip (specify door thickness) and No. 301 step down for special 1/2" sill conditions or 501 step down for special 1/4" sill conditions (see page 192). 1-1/8" mitered returns on both ends furnished as standard. Specify if straight ends are required and state length. Specify if 1-1/2" offset is required. Specify overall length (jamb to jamb).

Technical Information

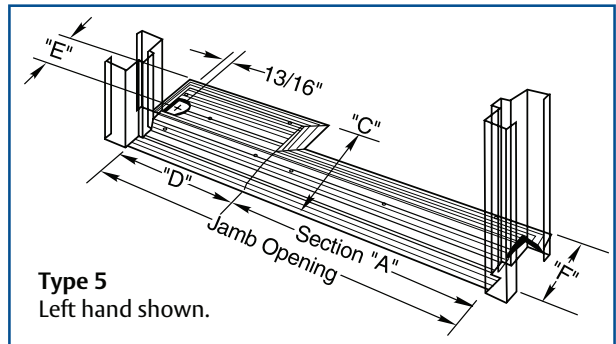


C dimension is the width of the D section

Type 5

For use with offset closers and pivot sets listed above. Can be furnished with No. 200 stop strip (specify door thickness) (see page 192). 1-1/8" mitered returns are furnished as standard on both ends. Specify if straight ends are required and state length. Specify if 1-1/2" offset is required. Cannot be used with No. 301 step down. Not available in stainless steel. Cannot be ordered in wider widths. Specify overall length (jamb to jamb).

Technical Information



F is the dimension of the A section

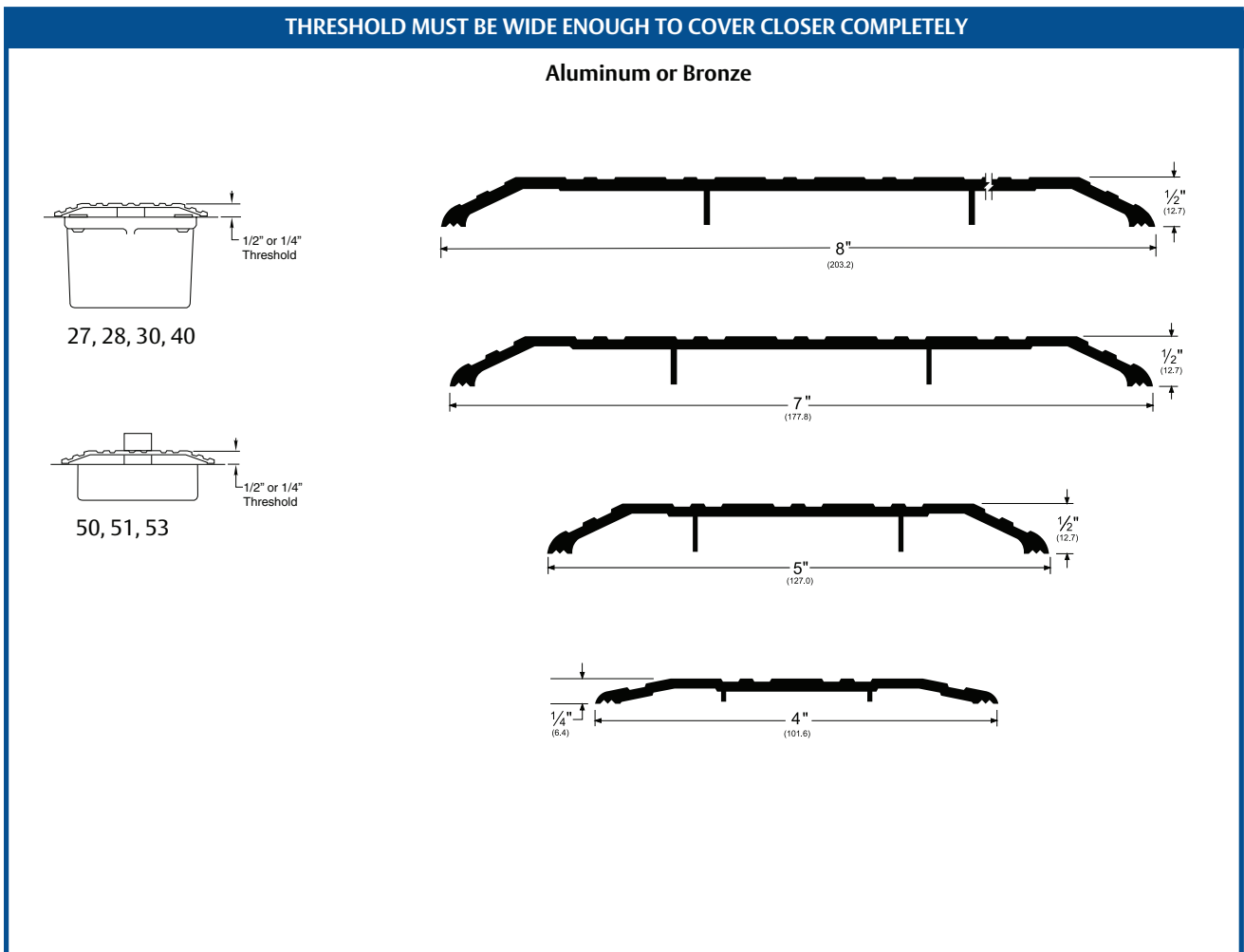
Specification Details

FOR 3/4" OFFSET (3/4" from center of spindle to face of door) Nos. 20, 27, L27 closers Nos. 117-1/2, L117 pivot sets, dim. "D"=10-1/16". QT27, 51,	Door Thickness	1-3/4"				2"				2-1/4"				2-1/2"				2-3/4"				3"			
	Threshold Type	5 x 400 normal or 5 x 500		3 x 700 normal or 3 x 800		5 x 400 normal or 5 x 500		3 x 700 normal or 3 x 800		5 x 500		3 x 800		5 x 500		3 x 800		5 x 500		3 x 800		5 x 500		3 x 800	
	Stop Strip (if used)	x no. 200		x no. 200		x no. 200		x no. 200		x no. 200		x no. 200		x no. 200		x no. 200		x no. 200		x no. 200		x no. 200		x no. 200	
	dim. "C"	7" or 8"	7-3/8" or 8-3/8"	7" or 8"	7-3/8" or 8-3/8"	7" or 8"	7-3/8" or 8-3/8"	7" or 8"	7-3/8" or 8-3/8"	8"	8-3/8"	8"	8-3/8"	7-3/4"	8-1/8"	7-3/4"	8-1/8"	8"	8-3/8"	8"	8-3/8"	8"	8-3/8"	8"	8-3/8"
	dim. "E"	3-1/2" or 4"								4"															
	dim. "F"	4" or 5"	4-3/8" or 5-3/8"	7" or 8"	Dim. D = 10-1/16"	4" or 5"	4-3/8" or 5-3/8"	7" or 8"	7-3/8" or 8-3/8"	5"	5-3/8"	8"	8-3/8"	5"	5-3/8"	8"	8-3/8"	5"	5-3/8"	8"	8-3/8"	5"	5-3/8"	8"	8-3/8"
FOR 1-1/2" OFFSET (1-1/2" from center of spindle to face of door) Nos. 20, 27, closers. Nos. 117-1/2, pivot sets, dim. "D"=10-1/16".	Door Thickness	1-3/4"				2"				2-1/4"															
	Threshold Type	5 x 500		3 x 800		5 x 500		3 x 800		5 x 500		3 x 800													
	Stop Strip (if used)	x no. 200		x no. 200		x no. 200		x no. 200		x no. 200		x no. 200													
	dim. "C"	8"	8-3/8"	8"	8-3/8"	8"	8-3/8"	8"	8-3/8"	8"	8-3/8"	8"	8-3/8"												
	dim. "E"	4"																							
	dim. "F"	5"	5-3/8"	8"	8-3/8"	5"	5-3/8"	8"	8-3/8"	5"	5-3/8"	8"	8-3/8"												

For 1-1/2" offset hung doors thicker than 2-1/4", a special spliced threshold must be used. Consult factory.

Sizes

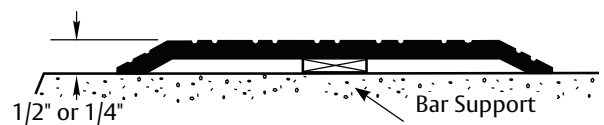
The width of the threshold must be sufficient to completely cover the closer.



Thresholds

Extra-Wide Thresholds

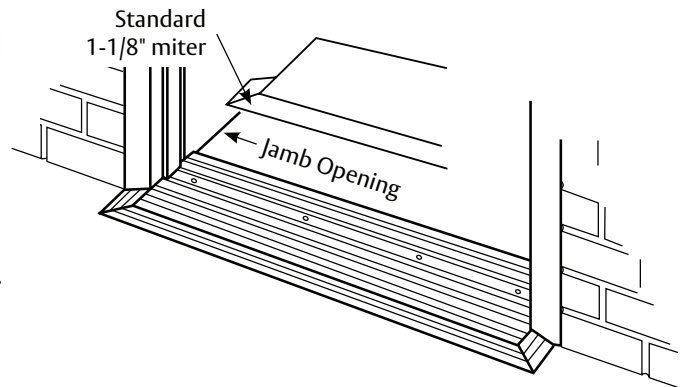
Special widths are available on request. A center bar support is provided as standard. Detailed dimensions required. Not available with Type 5.



Return Miters

Furnished on the pull side of the door. The return miter at the spindle side of the doorway is detachable for easy removal of closer plate section. Four corner miters, to enhance finished appearance, are available upon request.

Technical Information



MITERED DESIGN

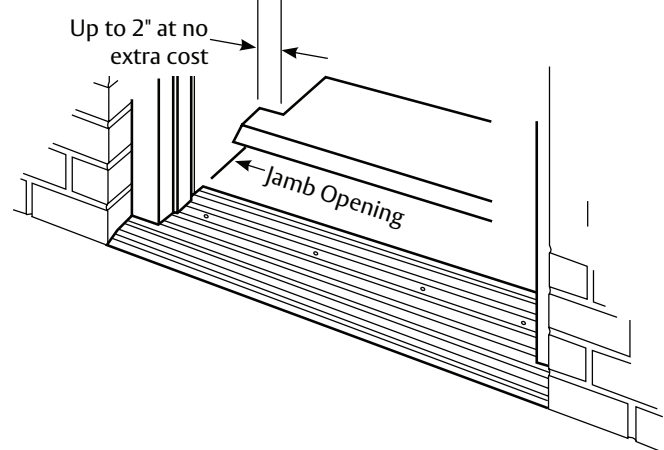
1-1/8" mitered end standard.

Extended mitered ends available – specify length.

Straight Ends

When the threshold abuts a wall at the ends, straight ends up to 2" can be substituted for mitered returns at no additional cost. Provides a continuous, finished appearance.

Technical Information



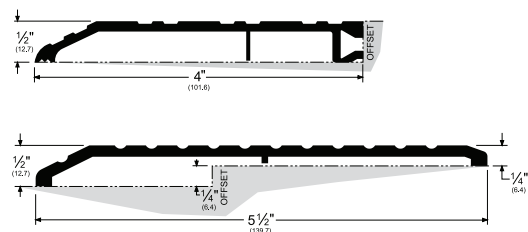
STRAIGHT END DESIGN

Extended straight ends available – specify length.

Bevel Cut Thresholds

Standard width thresholds can be straight rip cut to achieve a flush floor condition. The threshold bevel on the interior side of the door is removed; permits threshold and carpet (or tile) to meet at the same height. A 5/16" bar support (provided) or built-up concrete sill is required. Dimensional details required.

Technical Information

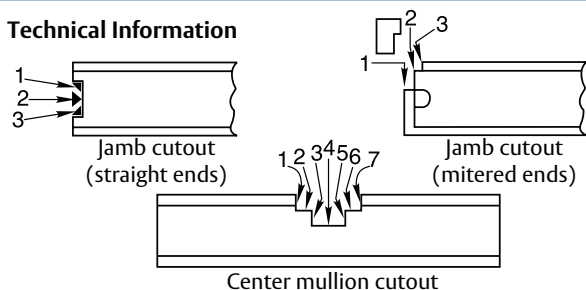


Scribing

Cutting the threshold to fit the door stop is done on the job. Rixson® will do scribing only if accurate dimensions are supplied. Cost is extra, depending upon details.

(Drawings at right indicate number of cuts required to complete various scribing operations.)

Technical Information

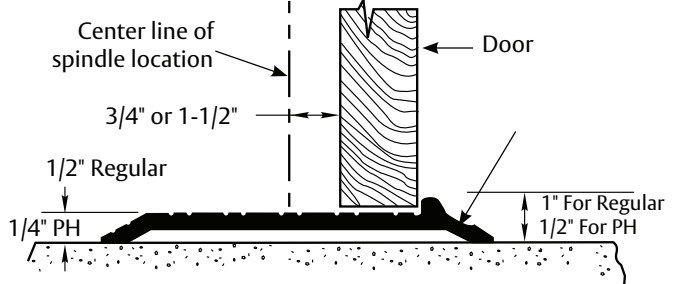


No. 200 Stop Strip

For use on threshold cut for all floor and overhead concealed OFFSET TYPE closers and pivot sets. This adds 3/8" to width of threshold. Where 200 stop strip is used, it is always applied to the bevel on the push side of the threshold.

No. 200 Stop Strip (Offset Hung)

Technical Information



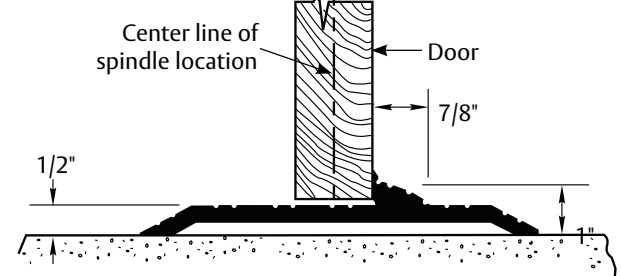
No. 201 Stop Strip

Stop strips are furnished at extra cost, when specified. On single acting doors, a stop strip is recommended to serve as a weather seal on the push side at the bottom of the door.

For use on thresholds prepared for all floor and overhead concealed CENTER HUNG single acting closers, CENTER HUNG pivot sets and BUTT HUNG floor closers. Where 201 stop strip is used, stop strip is always applied on tread surface of threshold on push side, not on the bevel. Not available PH. This product cannot run across entire door width.

No. 201 Stop Strip (Center & Butt Hung)

Technical Information

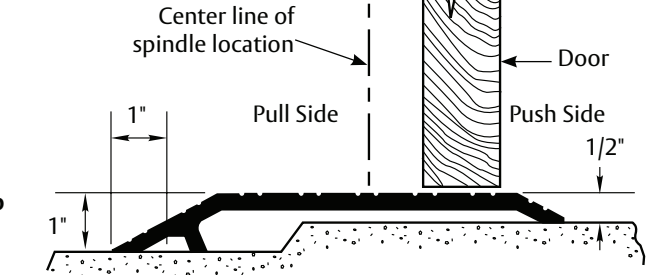


No. 301 Step Down

Designed to accommodate sill conditions where the floor drops 1/2" below sill height. Add 1" to width of threshold. Step down strip may be applied to either push or pull side of thresholds. Not available on Type 5 thresholds. Not available PH.

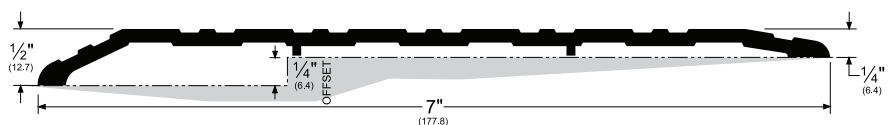
No. 301 Step Down Strip

Technical Information



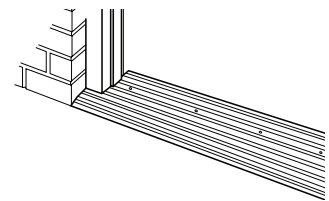
No. 501 Step Down

Designed to accommodate sill conditions where the floor drops 1/4" below sill height. Add 1" to width of threshold. Step down strip may be applied to either push or pull side of thresholds. Not available on type 5.



Thresholds for Overhead and Surface Door Closers

Straight threshold lengths, with or without 1-1/8" mitered or straight ends, are available for Nos. 700, 800, and 0700 overhead concealed closers, or any manufacturer's surface and overhead concealed closer. When ordering, state NO CLOSER PREP.



Anchoring

Thresholds are drilled for installation. They are furnished with wood screws or rawl plug as standard. If machine screws and expansion shields are required, specify "MSES."



MSES

Adjusting Valve Fillers

Used to keep debris from filling adjusting holes, suffix "filler".



Finishes

Thresholds are aluminum or bronze.

When considering thresholds, remember that they are being walked on, rolled over and rained upon. This means that the finish you decide to use can be dramatically affected by those conditions.

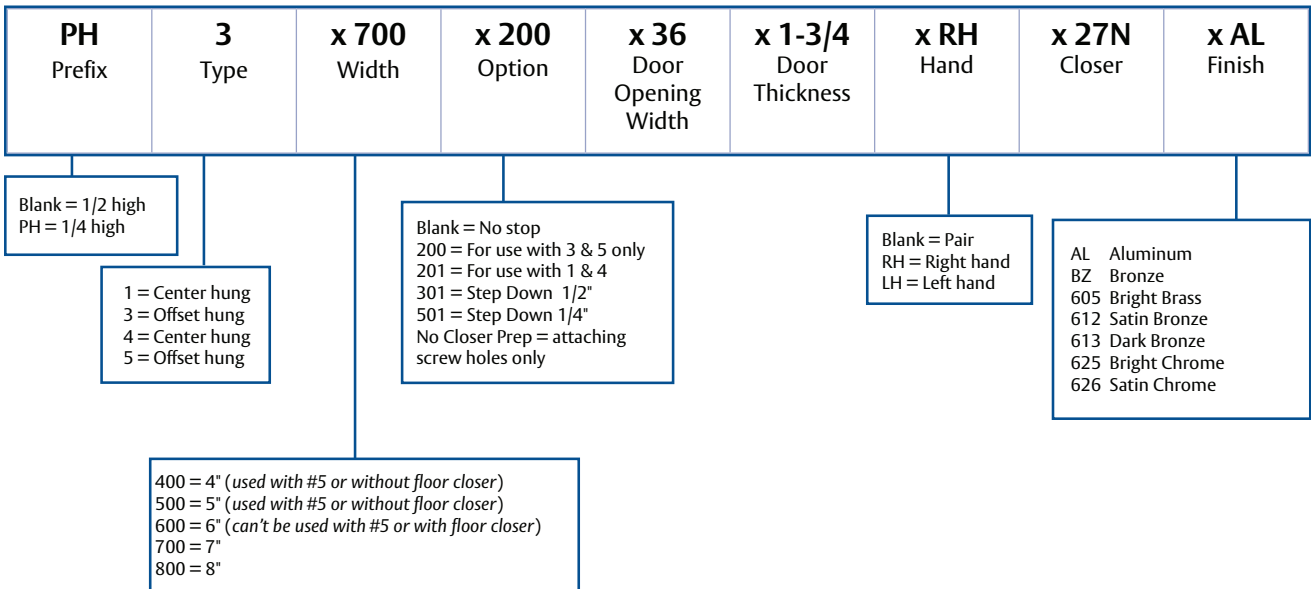
The most forgiving base metal is aluminum. Mill aluminum does not tarnish or darken in time. Mill bronze darkens after awhile and the end result is a dark oxidized appearance.

Plated finishes on thresholds are not a good idea. To do a plated finish, a bronze base threshold is plated then lacquered. The first time someone with a pebble in the sole of their shoe walks across the threshold they will scratch the lacquer, then the plating will wear. This leaves the bronze base metal coming through. The wear patterns will be very noticeable. Plated thresholds are not warranted for finish.

Special Drawings

If configuration, other than standard, is required, complete details must be supplied. Allow extra time for approved drawings to be returned. Thresholds will be quoted after factory drawings are approved.

How to Order



Thresholds